

The following instructions are for assembly of all beds manufactured by Bunk Beds Etc. The illustrations shown may differ slightly, but assembly procedures are the same. **Important: Line up the holes and DO NOT OVER TIGHTEN BOLTS!**

Safety Warnings

- 1) Do not allow children under 6 years of age to use the upper bunk.
- 2) Use guardrails on both sides of the upper bunk.
- 3) Prohibit horseplay on or under beds.
- 4) Prohibit more than one person on the upper bunk.
- 5) Use ladder for entering and leaving upper bunk.
- 6) If the bunk bed will be placed next to a wall, the guardrail that runs the full length of the bed should be placed against the wall to prevent entrapment between the bed and the wall. (This applies only to bunk beds without two full-length guardrails).
- 7) Ensure the thickness of the mattress and foundation (bunkie board) of the upper bunk does not exceed **10½"**
- 8) Ensure the thickness of the mattress and foundation (bunkie board) on the lower bunk does not exceed **14"**
- 9) Use only _____ *Twin*, _____ *Twin XL*, _____ *Full* (double), _____ *Odd sized* mattress and bunkie board on this bed.
- 10) Ensure that the mattress surface is at least 5" below the upper edge of the guardrails.

General instructions: (figure 1)

Bunk beds are easier to assemble with two people helping. Lay out all the parts within the room, read the instructions thoroughly and study the illustrations on the reverse side *before* proceeding. A 5mm allen wrench (provided) and phillips screwdriver are the only tools required.

Insert bolts into pre-drilled holes in the corner posts, or "uprights" (see illustrations). When assembling a bed, the ladder rungs should be on the **outside** of the corner posts on both ends. Select the "best" looking face to go outside. Starting with the lower bed-rails, begin threading the bolts into the ends of the rails. Ensure the bolts are properly lined up with the pre-drilled holes in the ends of the rails. Attach the rail tightly to one end unit and then loosely fasten to the other end unit. This will allow you to fit all the rails into place without having to use force on any parts. Repeat until all rails are in place. Then tighten all bolts on the opposite end.

Set the three (3) safety wires (*for twin and twin extra long beds only*) into the grooves of the bed cleats on the *upper rails* (*lower bed rails do not need safety wires*). Using a square drive or Phillips screwdriver and the 1" screws provided, attach the wires securely at both ends to the cleats.

Set the bunkie board into position. Place the proper size mattress on top of the bunkie board. Keep these instructions.

Never use a bed without all the parts securely fastened into place.

Teach your children how to safely use their new bunk bed.

Specific model instructions:

Stackable: (fig 2) Each end consists of two units - an upper and a lower. The upper has additional holes for the guard rails. Four (4) stacking pins are included in the hardware package. Place these pins into the pre-drilled holes in the tops of the posts of the lower end units. Once the upper unit has been assembled, lift it into position and sit it on top of the lower unit. Ensure the pins line up.

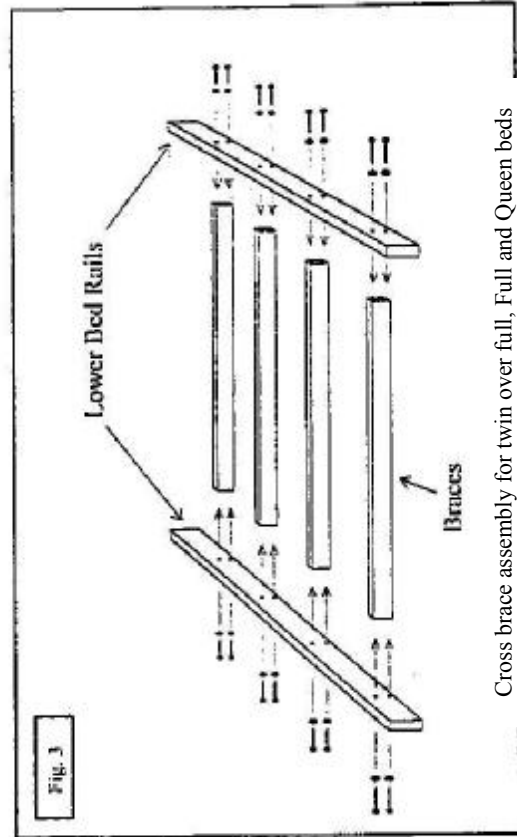
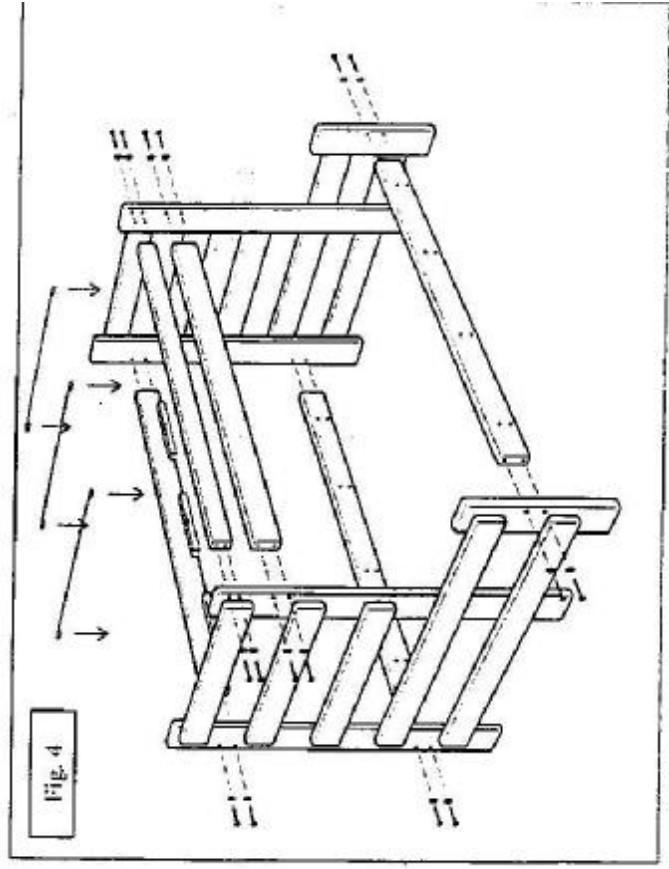
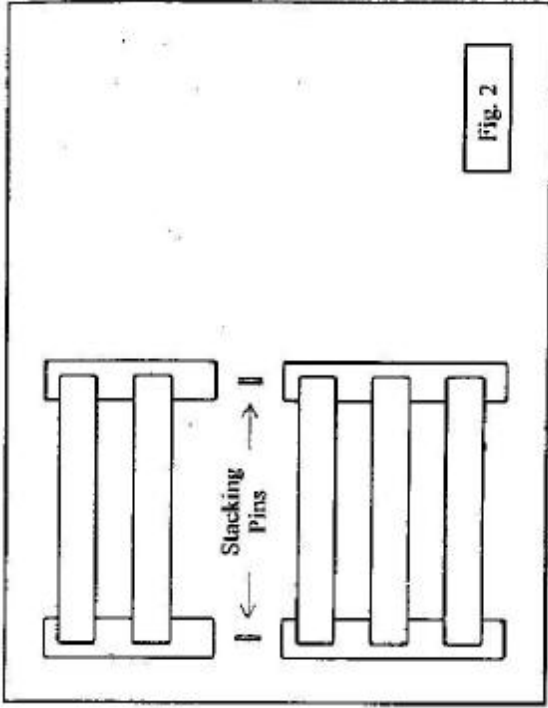
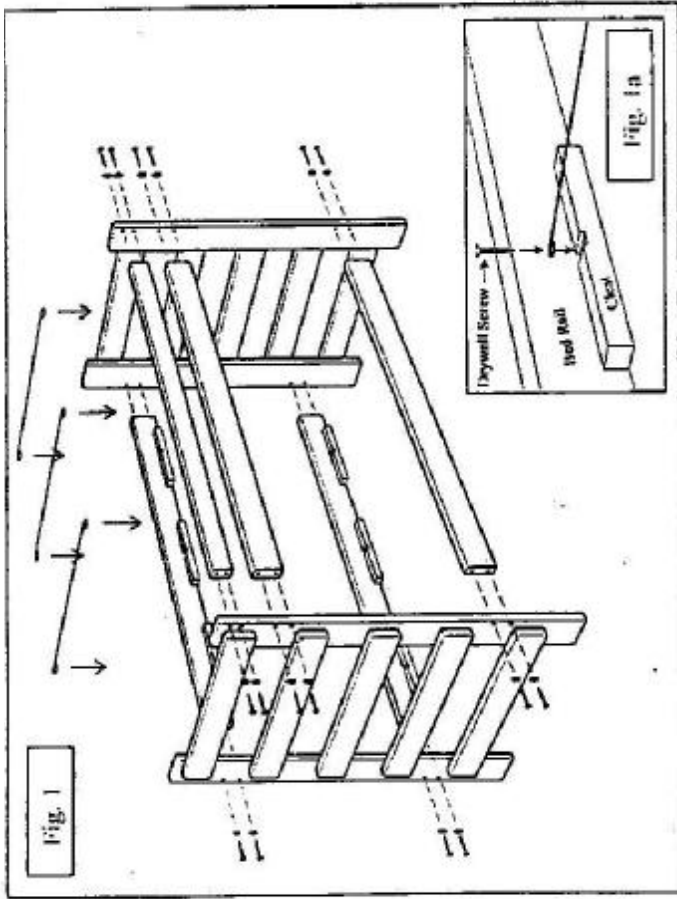
Loft: Loft beds are essentially bunk beds without the lower bunk. However, there is a brace (in the rear) to provide additional support.

L-Shape: These beds consist of a loft bed and a separate single bed placed and right angles to each other. Assemble the loft bed first. Then assemble the lower bed (two rails and two end units).

Twin-Full or Full beds: (fig 3 & 4) The lower bed is a full (double) size. The upper is twin size. Assemble this bed in a similar manner to a standard bunk. The lower bed-rails have additional support braces fastened between the two bed-rails. Fasten full size cross braces in place after your bed is assembled. Fulls have 4 cross braces, Queens have 6 cross braces.

Storage Drawers (Under bed chests): Insert the castors into the pre-drilled holes on the bottom. Place the bottoms into each drawer unit. Then insert the divider into the grooves on each of the drawer sides. Roll the drawers into place under your bed.

Notice: ALL beds now have a second (tapered 2x6) guardrail on top (not shown in these drawings)



Cross brace assembly for twin over full, Full and Queen beds
Cross braces are actually horizontal, not vertical as shown.